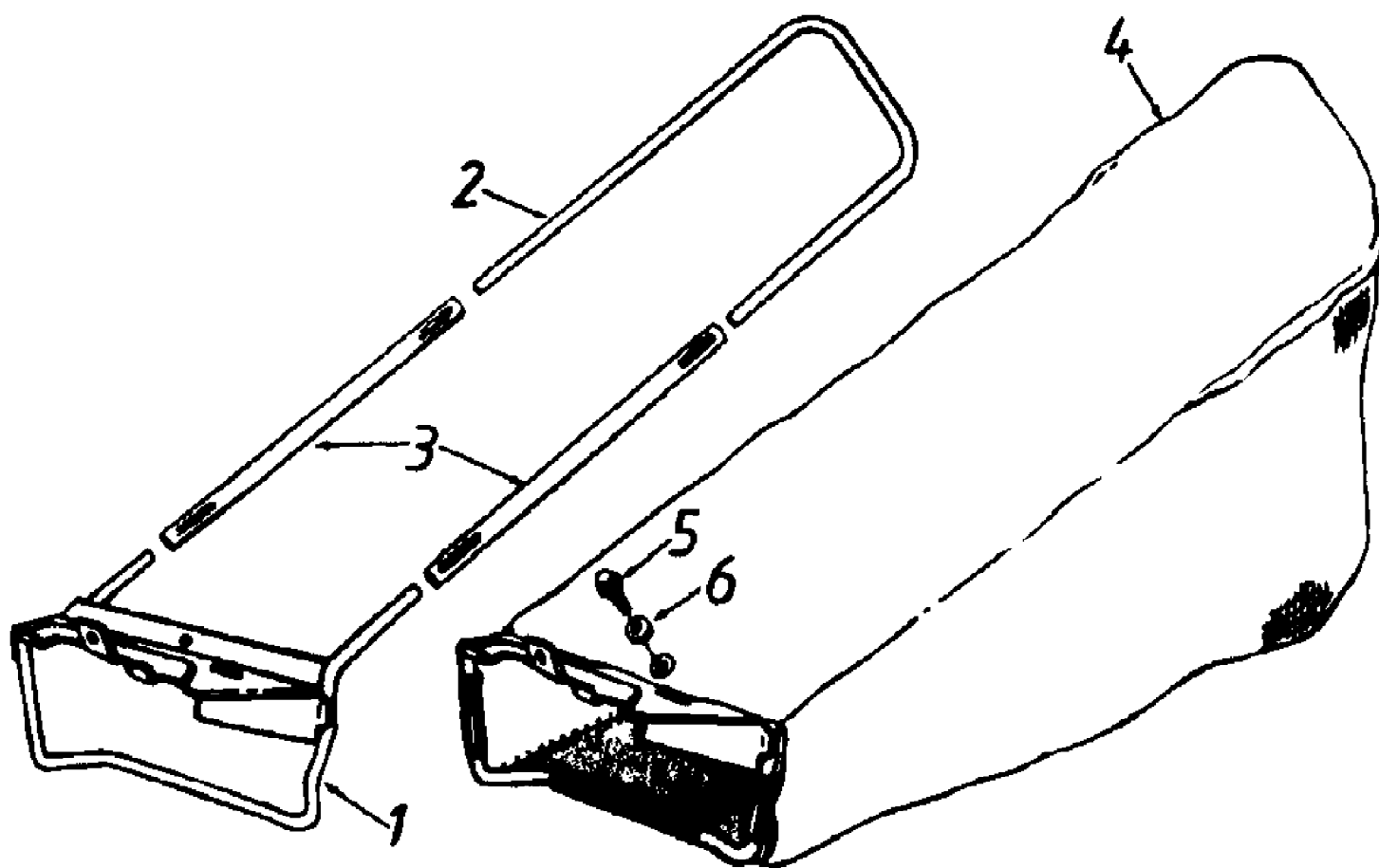
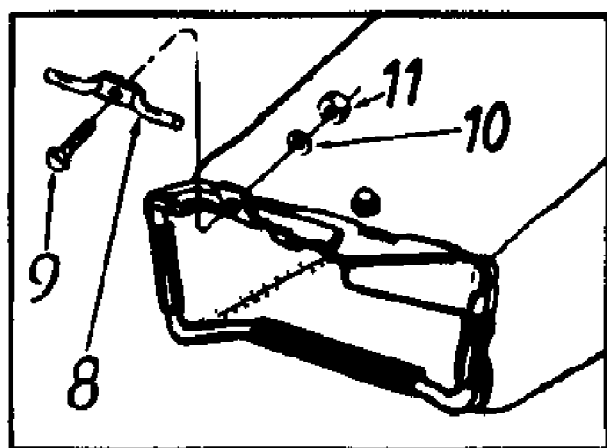


190-110-000 (1998)  
Grass Catcher



190-110-000 (1998)  
Grass Catcher

Page 2 of 2

Ref #	Part Number	Qty	S/P/F	Description
1	16839B	1	S	Frame - Lower Ass'y.
2	747-0575	1	S	Frame - Upper
3	749-0774	1	S	Tube Support
4	764-0271	1	S	Grass Bag
5	710-0599	1	/P	Hex Wash. Hd. TT-Tap Scr. 1/4-20 x 5' Lg.
6	736-0270	1	/P	Bell-Wash. 1/4" I.D.
8	747-0870	1		Grass Bag Hook
9	710-0258	1	S/F	Hex Bolt 1/4-20 x .62" Lg.
10	736-0329	1	S/F	L-Wash. 1/4" I.D.
11	712-0287	1	S/F	Hex Nut 1/4-20 Thd.